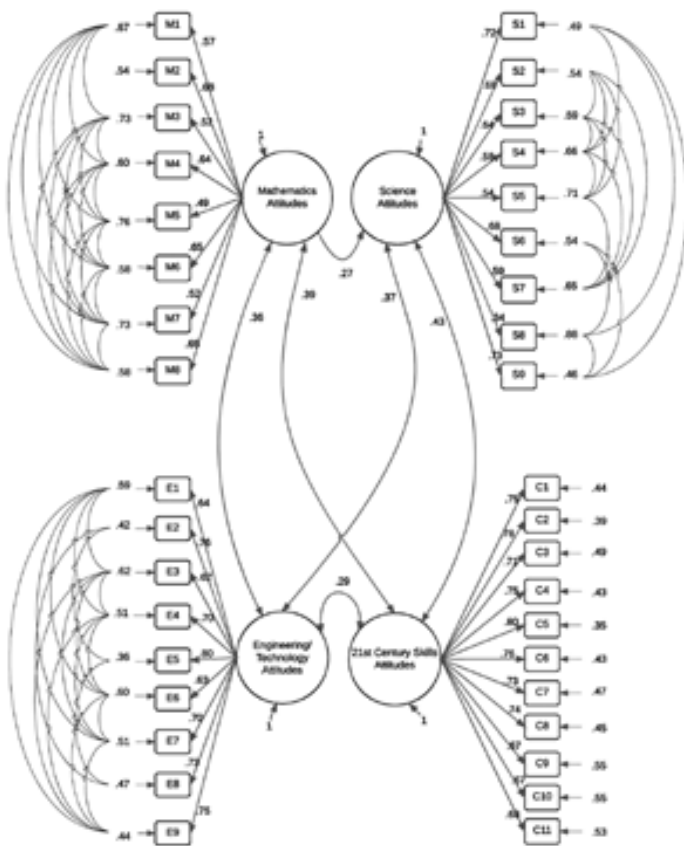


March 5, 4 pm BSS 166

Dr. Alana Unfried

Professor of Statistics, CSU Monterey Bay

Using Pre-College Student Attitudes and Demographics to Predict STEM Career Interest



Demand for workers in science, technology, engineering, and mathematics, (STEM), is rising. However many pre-college students diverge from STEM career pathways. A deeper understanding of these pathways is needed. In this talk we examine relationships between student attitudes about STEM subjects and careers. We consider variables such as gender, age, and ethnicity. Statistical analysis of surveys using factor analysis, missing data analysis, cluster analysis, and variable selection, are discussed.